

CODED KEYPAD WITH PUSH BUTTON AND HANDS-FREE READER

- + Ideal for **controlling an insulated door**
- + Hands-free proximity reader
- + Backlit keys
- + Flush-mounted installation

CUSTOMISE
your
ACCESS CONTROL
PLATE
cf. page X



04-0111

04-0111 customised



INSTALLATION MANUAL



ALL INCLUDED PACKAGE - intrabox

INTRABOX DATA ECO CODED KEYPAD WITH PUSH BUTTON AND PROXIMITY READER	Stainless steel finish	1 Coded keypad with push button and hands-free proximity reader (04-0111) + 1 1-door central unit (03-0102) + 1 data module with unlimited data synchronisation 10 years	06-0199
--	------------------------	--	---------

CODED KEYPAD RANGE

CODED KEYPAD WITH PUSH BUTTON AND HANDS-FREE PROXIMITY READER	Stainless steel finish		04-0111
---	------------------------	--	---------

ACCESSORIES	Surface-mounted box	Stainless steel finish	12-0165	L 121.5 x H 251.50 x P 42 mm
--------------------	---------------------	------------------------	---------	------------------------------

DESCRIPTION and TECHNICAL SPECIFICATIONS

Coded keypad

DIMENSIONS (W x H x D)	Keypad	120 x 250 x 25 mm
	Keypad back box	101 x 220 x 37 mm
ENVIRONMENT	Operating temperature	20°C to +60°C
	Index Protection	IP54 / IK08
	Flush-mounted	✓
INSTALLATION	Surface-mounted	Surface-mounted box available as an add-on product



1-door - 03-0102



2-door - 03-0101

CENTRAL UNITS

POWER SUPPLY RECOMMENDED (not included)	12 to 24 V DC : 24V DC 2.5A	
CENTRAL UNIT CHARACTERISTICS	Number max keyfobs / Mobil key	3,000 / 7,000
	Number max of keypad codes	40 / 80
DIMENSIONS (W x H x D)	74 x 59 x 18 mm	

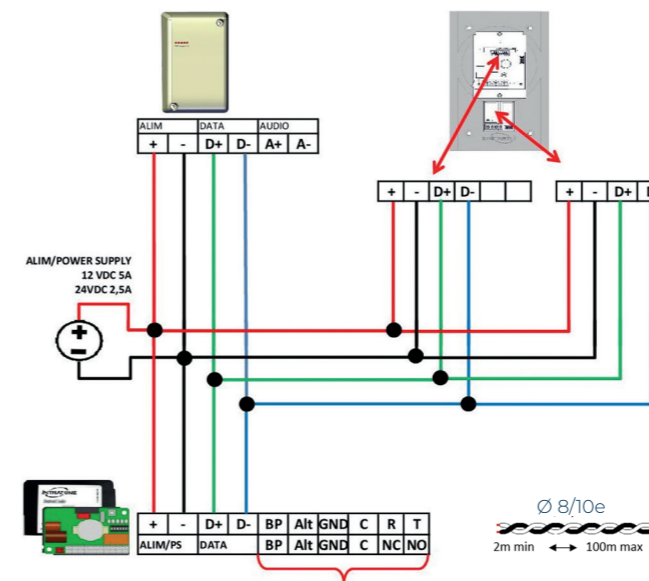
MODULE DATA

MODULE CHARACTERISTICS	Dimensions (W x H x D)	162 x 96 x 53 mm
-------------------------------	------------------------	------------------

ADDITIONAL INFORMATION

Technical alert	✓
Mifare compatibility	✓
Time-stamped events	✓
Free access time slots	✓
Braille keypad	✓

SIMPLIFIED SCHEME* and WIRING



Central unit - Keypad	4 wires (2 twisted pairs)
Central unit - Module	4 wires (2 twisted pairs)

*1-door central unit scheme.
To view the 2-door central unit scheme, you can scan the installation manual QR code