



INTRACALL

AUDIO INTERCOM

- ⊕ Adapted for professional use
- ⊕ Vandal resistant
- ⊕ 1 call button
- ⊕ Flush-mounted installation



Intracom audio - 1 Bouton 14-0144



INSTALLATION MANUAL



ALL INCLUDED PACKAGE - intrabox

INTRABOX INTRACALL	Stainless steel finish	1 Intracall 1 call button (14-0144) + 1 1-door central unit (03-0102) + 1 4G module with unlimited data synchronisation 15 years	06-0181
--------------------	------------------------	--	---------

INTRACALL AUDIO INTERCOM RANGE

Stainless steel finish	1 CALL BUTTON	14-0144
------------------------	---------------	---------

ACCESSORIES	Surface-mounted box	Stainless steel finish	12-0145	W 93 x H 185 x D 60 mm
--------------------	---------------------	------------------------	---------	------------------------

DESCRIPTION and TECHNICAL SPECIFICATIONS

INTERCOM

DIMENSIONS (W x H x D)	Intracall intercom	88 x 180 x 4 mm
	Intercom back box	68 x 160 x 40 mm
ENVIRONMENT	Operating temperature	-20°C to +60°C
	Indice Protection	IP54 / IK08
INSTALLATION	Outdoor	✓
	Flush-mounted	✓
	Surface-mounted	Surface-mounted box available as an add-on product
ADDITIONAL INFORMATION	Accessibility Needs compliant	✓
	Functional messages	✓
	Sound level adjustment	✓
	Call transfer	✓
	Time slot programming	Up to 7 per day

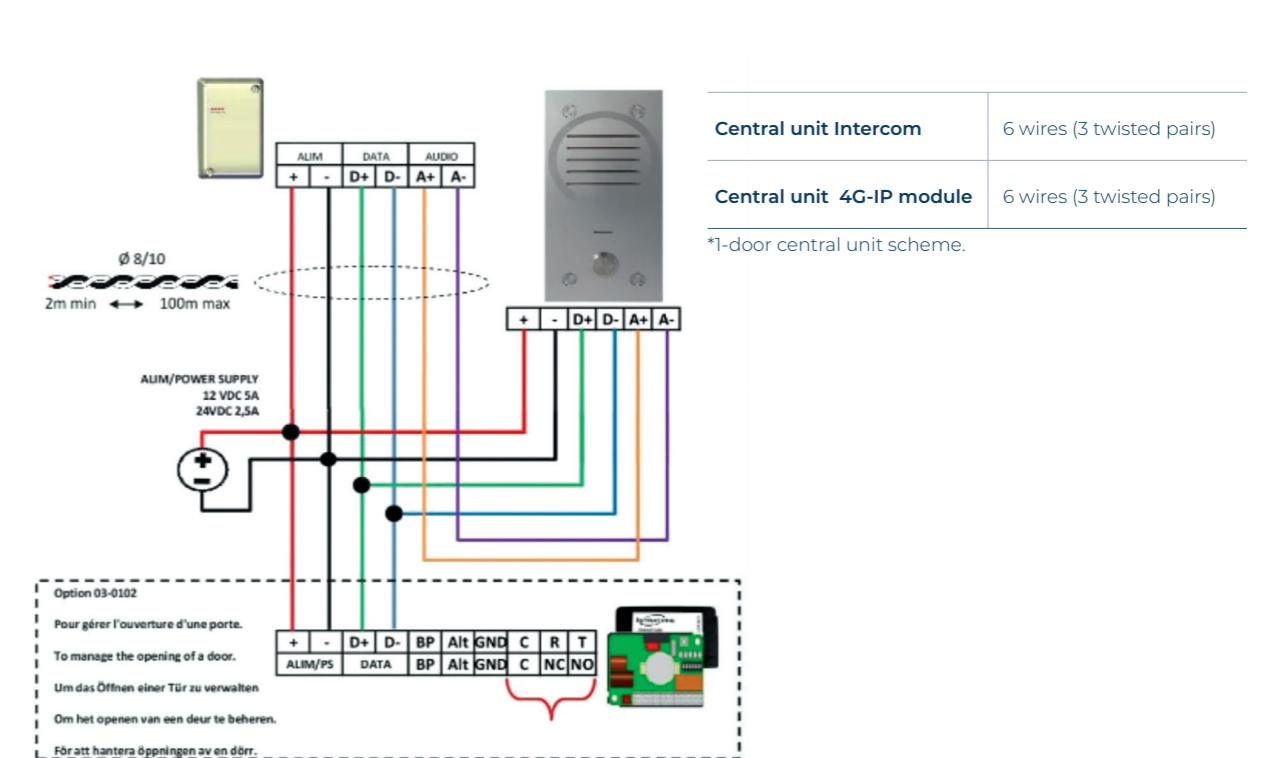
CENTRAL UNIT

CENTRAL UNIT CHARACTERISTICS	Maximum number of dwellings managed	1
	Power supply recommended (not included)	12 V DC 5A - 24V DC 2,5A
SYSTEM	Audio	✓
DIMENSIONS (W x H x D)		74 x 59 x 18 mm

MODULE CHARACTERISTICS

DIMENSIONS (W x H x D)	162 x 96 x 53 mm
----------------------------------	------------------

SIMPLIFIED SCHEME* and WIRING



⊕ MORE INFORMATION ON CENTRAL UNITS ? See pages XX and XX

AUDIO INTERCOM