

CODED KEYPAD WITH PUSH BUTTON OR PROXIMITY READER

- + Ideal for **controlling an insulated door**
- + **Backlit keys**
- + **Flush-mounted installation**



INSTALLATION MANUAL

04-0101

04-0103



www.intratone.info

ALL INCLUDED PACKAGE - intrabox

INTRABOX DATA ECO CODED KEYPAD WITH PUSH BUTTON	Stainless steel finish	1 Coded keypad with push button (04-0101) + 1 relay card (12-0110) + 1 data module with unlimited data synchronisation 10 years	06-0103
INTRABOX DATA ECO CODED KEYPAD WITH PROXIMITY READER	Stainless steel finish	1 Coded keypad with proximity reader (04-0103) + 11-door central unit (03-0102) + 1 data module with unlimited data synchronisation 10 years	06-0104

CODED KEYPAD RANGE

CODED KEYPAD WITH PUSH BUTTON	Stainless steel finish	04-0101
	Brass finish	04-0102
CODED KEYPAD WITH PROXIMITY READER	Stainless steel finish	04-0103

ACCESSORIES	Surface mounted box	Stainless steel finish	12-0103	L 121.5 x H 191.50 x P 37.50 mm
-------------	---------------------	------------------------	---------	---------------------------------

DESCRIPTION and TECHNICAL SPECIFICATIONS

CODED KEYPAD

DIMENSIONS (W x H x D)	Keypad	120 x 190 x 25 mm
	Back box	91 x 160 x 37 mm
	Read head (reader)	Ø 40 x 7mm
ENVIRONMENT	Operating temperature	20°C to +60°C
	Index Protection	IP54 / IK08
INSTALLATION	Flush-mounted	✓
	Surface-mounted	Surface-mounted box available as an add-on product

CENTRAL UNITS



1-door - 03-0102

2-door - 03-0101

Relay card - 12-0110

POWER SUPPLY RECOMMENDED (not included)	12V DC 5a or 24V DC 2.5a			
CENTRAL UNIT CHARACTERISTICS	Number max of fobs / Mobil key / transmitters	3,000	7,000	10,000
	Number keypad codes	40	40	80
DIMENSIONS (W x H x D)	74 x 59 x 18 mm	155 x 110 x 55 mm	74 x 59 x 18 mm	

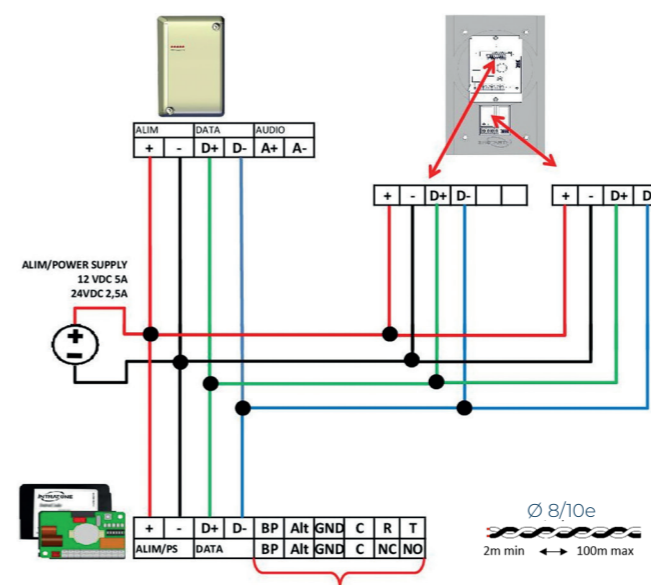
MODULE DATA

MODULE CHARACTERISTICS	Dimensions (W x H x D)	162 x 96 x 53 mm
------------------------	------------------------	------------------

ADDITIONAL INFORMATION

Technical alert	✓
Mifare compatibility	✓
Time-stamped events	✓
Free access time slots	✓

SIMPLIFIED SCHEME* and WIRING



Central unit or relay card - Keypad	4 wires (2 twisted pairs)
Central unit or relay card - Module	4 wires (2 twisted pairs)

*1-door central unit scheme. To view the 2-door central unit scheme, you can scan the installation manual QR code