



SC-04 VENDONE® INTERCOM

- ⊕ Customizable intercom
- ⊕ Scrolling intercom
- ⊕ Flush-fit mounting
- ⊕ Hands-free proximity reader
- ⊕ Backlit 12 keys coded keypad
- ⊕ LCD colour screen
- ⊕ Invisible camera

+
**CUSTOMIZE
THE SCREEN
& THE FACADE
of your
intercom**
See page 9



INSTALLATION MANUAL



Customized SC-04 video intercom



SC-04 VIDEO INTERCOM RANGE

		1 INTERCOM	1 INTERCOM + 1-DOOR CENTRAL UNIT // 200 NAMES	1 INTERCOM + 2-DOORS CENTRAL UNIT // 1,000 NAMES
SC-04 Vendone®	Stainless steel finish	02-0301	02-0307	02-0305
	Brass finish	02-0302	02-0308	02-0306
SC-04 Vendone® with key safe	Stainless steel finish	02-0314	02-0316	02-0315

SC-04 VENDONE® + VENDONE® SMILE ACCESSORIES

	Rain shield for Vendone® intercom	Stainless steel finish	12-0202	W 155.50 x H 345.20 x D 35 mm
	Surface mounted box for Vendone® intercom	Stainless steel finish	12-0201	W 156.50 x H 349.60 x D 50 mm
		Brass finish	12-0205	

INTERCOM

DIMENSIONS	Intercom	150 x 343 x 2.5 mm
	Surface mounted box	127.4 x 318 x 45 mm
ENVIRONMENT	Operating temperature range	-20°C to +60°C
	Ingress Protection rating	IP54
ACCESS CONTROL EQUIPMENT	Coded keypad	✓
	Hands-free proximity reader	✓
	Outdoor / Indoor	✓
INSTALLATION	Flush mounted	✓
	Surface mounted	Surface-mounted box available as complementary
FURTHER INFORMATION	Audio induction loop	✓
	Call length	40 sec.
	Accelerated alphabetical search	✓
	Flat number can be displayed or hidden during time slot	✓
	LCD color screen 7 x 5.3 cm	✓
	Operational messages : (call in progress) Speech synthesis + display	✓
	Anti-disturbance (1)	✓
	Sound level adjustment without dismantling	✓
Automatic call return if no answer	✓	

(1) Functionality to prevent residents being disturbed by repeated calls

CENTRAL UNIT



1 door - 03-0102



2 doors - 03-0101

CENTRAL UNIT FEATURES	Max number of residences managed	200	1,000
	Power supply (not included)	12 VDC 5A - 24 VDC 2,5A	
SYSTEM	Number of relays	1 (+3)	2 (+2)

SERVICE PACKAGE

DON'T FORGET TO ADD YOUR SERVICE PACKAGE !

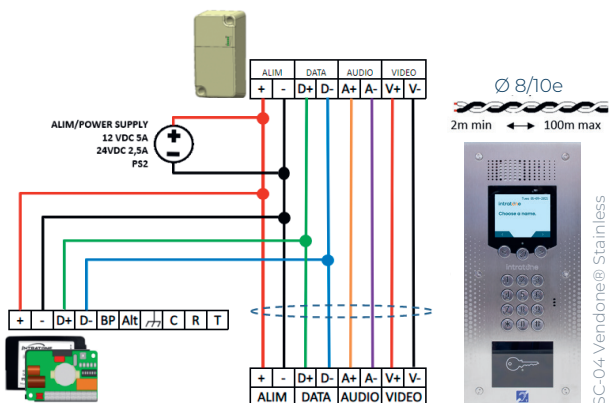
CLASSIC SERVICE PACKAGE

PREPAID 15 YEARS ALL INCLUSIVE PACKAGE

See pages 10 and 11 TO DISCOVER THE OFFERS

4G-IP MODULE FEATURES	Remote 4G-IP module	Deported
	Connection to a remote camera 4G-IP module	✓
	Number of intercoms per module 4G-IP	1

SIMPLIFIED SCHEMATIC & WIRING



	1 door - 03-0102	2 doors - 03-0101
4G-IP module Central unit	4 wires (2 twisted pairs)	6 wires (3 twisted pairs)
Central unit intercom	4 wires (2 twisted pairs)	6 wires (3 twisted pairs)
Intercom 4G-IP module	4 wires (2 twisted pairs)	2 wires (1 twisted pair)

*1-door central unit schema.
To view the 2-door central unit scheme, you can scan the QR code of the installation manual