



# INTRABOX DATA MINI

Built-in HF receiver

## EASIER TO USE

INTRABOX



**INTRABOX Data Mini HF:** 1 transmission module with built-in HF receiver with 10-years of unlimited data syncing and updates (06-0129).

- ▶ For real-time and remote management of car park access
- ▶ Create, change or delete a transmitter without having to recover it

REAL-TIME MANAGEMENT

10 YEARS UNLIMITED UPDATES



### GOOD TO KNOW

You can add one or two mini coded keypads to this system (Intrabox 06-0130)



Data



Vandal resistant

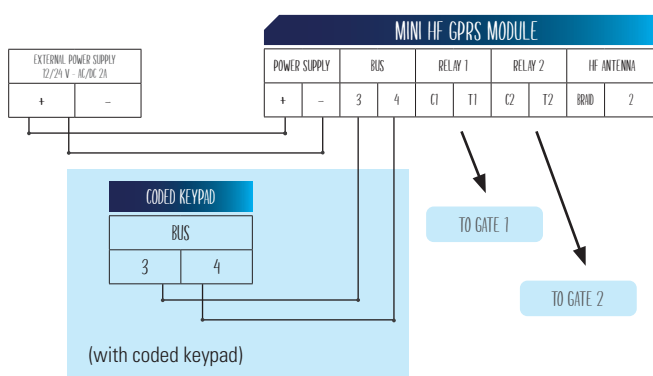


Remote online management  
[www.intratone.info](http://www.intratone.info)

### Capacities

Max number of accesses managed	2
Open access time slots	Yes
Yearly time switch	Yes
Permanent rolling code	Yes
Max number of transmitters	10,000
Max number of codes (with coded keypad)	80

## SIMPLIFIED SCHEMATIC



## TECHNICAL SPECIFICATIONS

### Power supply

12/24 V AC/DC 1 A mini

### Dimensions (L x H x D)

GPRS module  
162 x 96 x 53mm  
Keypad 85 x 137 x 16mm

### Wiring

GPRS module - 1 coded keypad  
2 wires (1 twisted pair)  
Ø 8/10e - Max: 100m

### Environment

Operating temperature  
-20°C to +60°C  
Protection index IP55

## RANGE

### Products

06-0129	Intrabox Data Mini HF: 1 transmission module with built-in HF receiver and unlimited data and syncing for 10 years
06-0130	Intrabox Data Mini HF: 1 transmission module with built-in HF receiver + 12-digit backlit mini coded keypad (04-0107) – unlimited data and syncing for 10 years